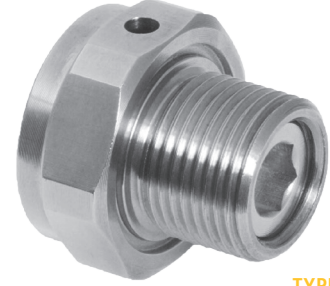




TYPE E



TYPE D

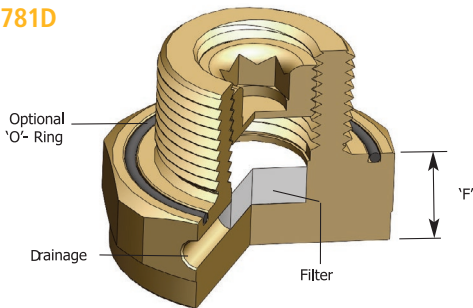
781



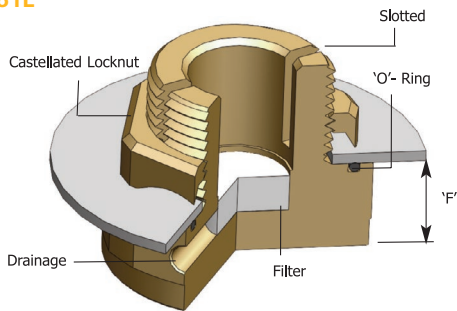
781 Breather / Drain Plug, Globally Approved, Explosive Atmosphere Cable / Conduit Accessory

- 781E for Ex e use
- 781D for Ex d use
- Drains equipment susceptible to moisture collection
- Enables equipment to breathe
- General purpose / industrial version available
- Nylon Ex e only version available (-20°C to +60°C)
- -60°C to 130°C (metallic versions)
- Globally marked, IECEx, ATEX & cCSAus

781D



781E



TECHNICAL DATA

Design Specification	BS 6121:Part 1:1989
Enclosure Protection	IK10 to IEC 62262 (20 joules) Brass & Stainless Steel Only
ATEX Certificate	SIRA 10 ATEX 1307U
Code of Protection	781D: Ⓔ II 2G Ex d IIC Gb, II 1D Ex ta IIIC Da 781E: Ⓔ II 2G Ex e IIC Gb, II 1D Ex ta IIIC Da
Compliance Standards	EN 60079-0,1,7,31
IECEx Certificate	IECEx SIR 10.0149U
Code of Protection	781D: Ex d IIC Gb, Ex ta IIIC Da 781E: Ex e IIC Gb, Ex ta IIIC Da
Compliance Standards	IEC 60079-0,1,7,31
cCSAus Certificate	1055233
Code of Protection	781D: Ex d IIC, Class I, Zone 1 AEx d IIC; Class I Div 1, Groups A,B,C,D IP66, Enclosure Type 4X 781E: Ex e II, Class I, Zone 1, AEx e II IP66, Enclosure Type 4X
Compliance Standards	CSA C22.2 No 0-10, 0.5, 30, 94; CSA C22.2 60079-0,1,7, E61241-1-1, UL50, 1203, UL60079-0,1,7
UL Certificate	E253914
EAC Certificate	TC RU C-GB.AA87.B.00487
UkrSEPRO	UA.TR.047.C.0644-15
CCOE / PESO (India) Certificate	P333688
INMETRO Certificate	TÜV 12.1330U
RETIE Approval	03866
NEPSI Certificate	GYJ13.1139X (781D) GYJ13.1138X (781E)
RETIE Approval	03866
Marine Approvals	LRS: 01/00173
Continuous Operating Temperature	781D: -60°C to +130°C 781E: -60°C to +130°C (-20°C to +60°C Nylon)
Ingress Protection Rating**	781D: IP66 (when fitted with CMP sealing accessories) 781E: IP66 (with 'O' ring interface seal and lock nut as standard)
Available Materials	Brass, Nickel Plated Brass, Aluminium, Stainless Steel, Nylon (781E only)
Accessories Included (781E only)	Integral Entry Thread equipment interface 'O' ring seal, Castellated Locknut

The 781D can be used with enclosures up to 30 litres for group IIB gases and enclosures up to 2.5 litres for group IIC gases
** When CMP installation accessories are used (781E). Refer to page 7 or www.cmp-products.com for further information.

HOW TO ORDER

e.g. 781 - D - M - 3 = Ex d - M25
e.g. 781 - E - M - 3 = Ex e - M25

Other Thread Variations are available on request. For further information on ordering please refer to page 150.

The CMP 781E range of Increased Safety type 'e' breather / drain plugs have been tested together with CMP serrated washers to ensure that in areas that are subject to vibration the plug does not suffer from self-loosening and in advertently fall out of the enclosure. Serrated washers are not included as standard but can be ordered separately.

Product Selection Table

Ordering Reference (781D)	Ordering Reference (781E)	Thread Size	Minimum Thread Length	Protrusion Length "F"	Across Flats Dimension	Across Corners Dimensions	Max Installation Torque (Nm)
781DM2	781EM2	M20 x 1.5	15.0	12.7	30.0	33.0	7
781DM3	781EM3	M25 x 1.5	15.0	12.7	36.0	39.6	10
781DT1	781ET1	½" NPT	19.9	12.7	30.0	33.0	7
781DT2	781ET2	¾" NPT	20.2	12.7	36.0	39.6	10

All dimensions shown are in millimetres unless otherwise stated